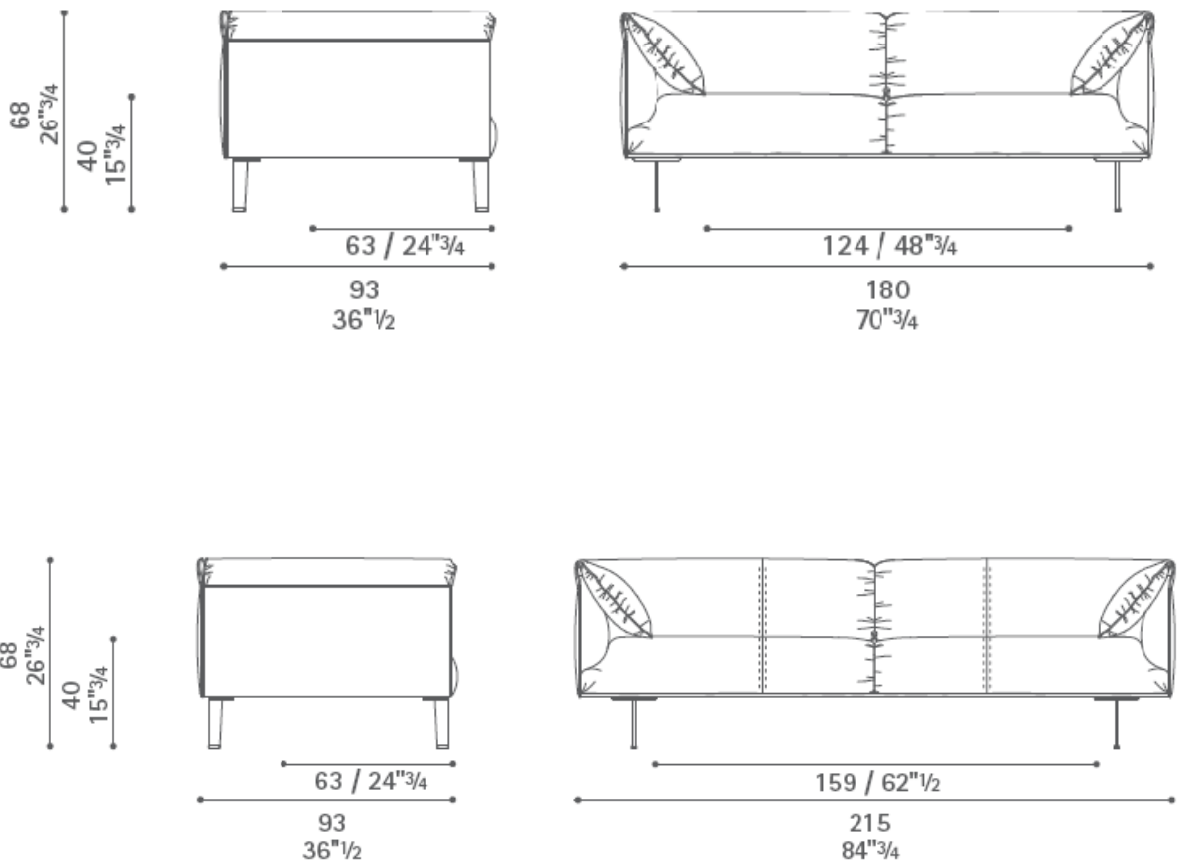


b m s



John-John

design Jean-Marie Massaud, 2011



b m s



John-John

design Jean-Marie Massaud, 2011

